



**SIEMAG
TECBERG**

TECHNICAL INFORMATION

ROLLER GUIDES

(FOR SKIPS AND CAGES)

TECHNICAL INFORMATION

ROLLER GUIDES WITH TORSIONAL RUBBER SPRING

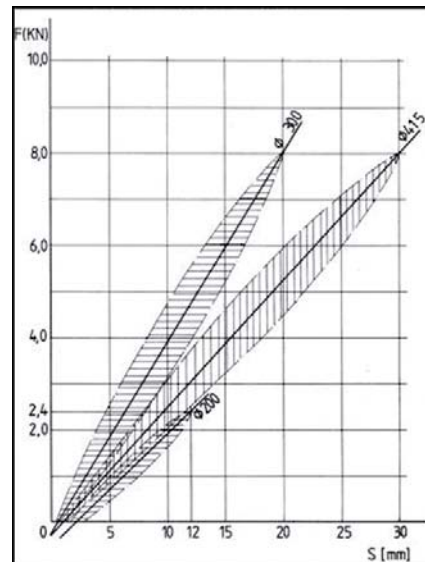
Each roller guide unit comprises a dual front roller and two side rollers fitted with special hard-rubber tyres. Both the front and side rollers are supported in identical rockers. Each rocker is bolted to the conveyance via two holding brackets.

The rocker consists of an outer tube with welded arms, the internal tube and the rubber bushing pressed in-between the two tubes. As a result, flexible torsion of the two tubes is possible so that impacts during travel can be absorbed and dampened.

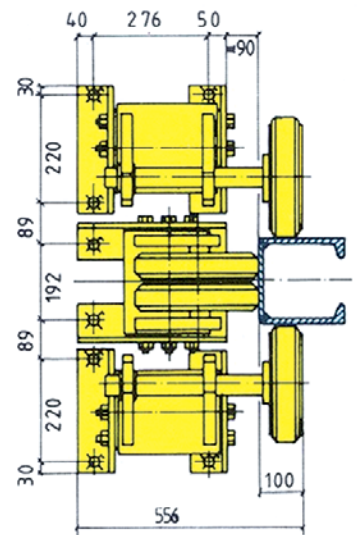
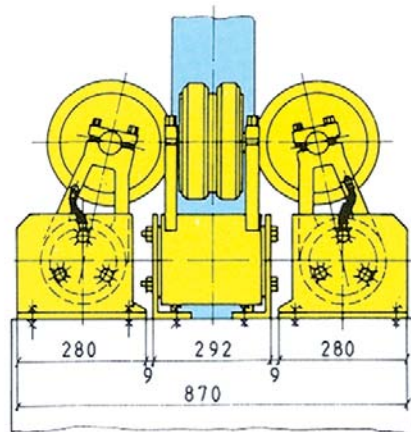
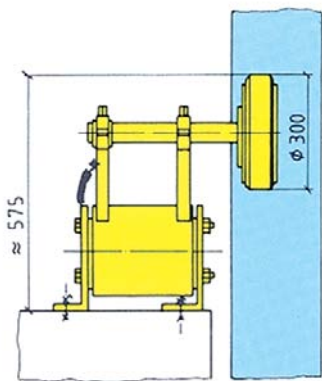
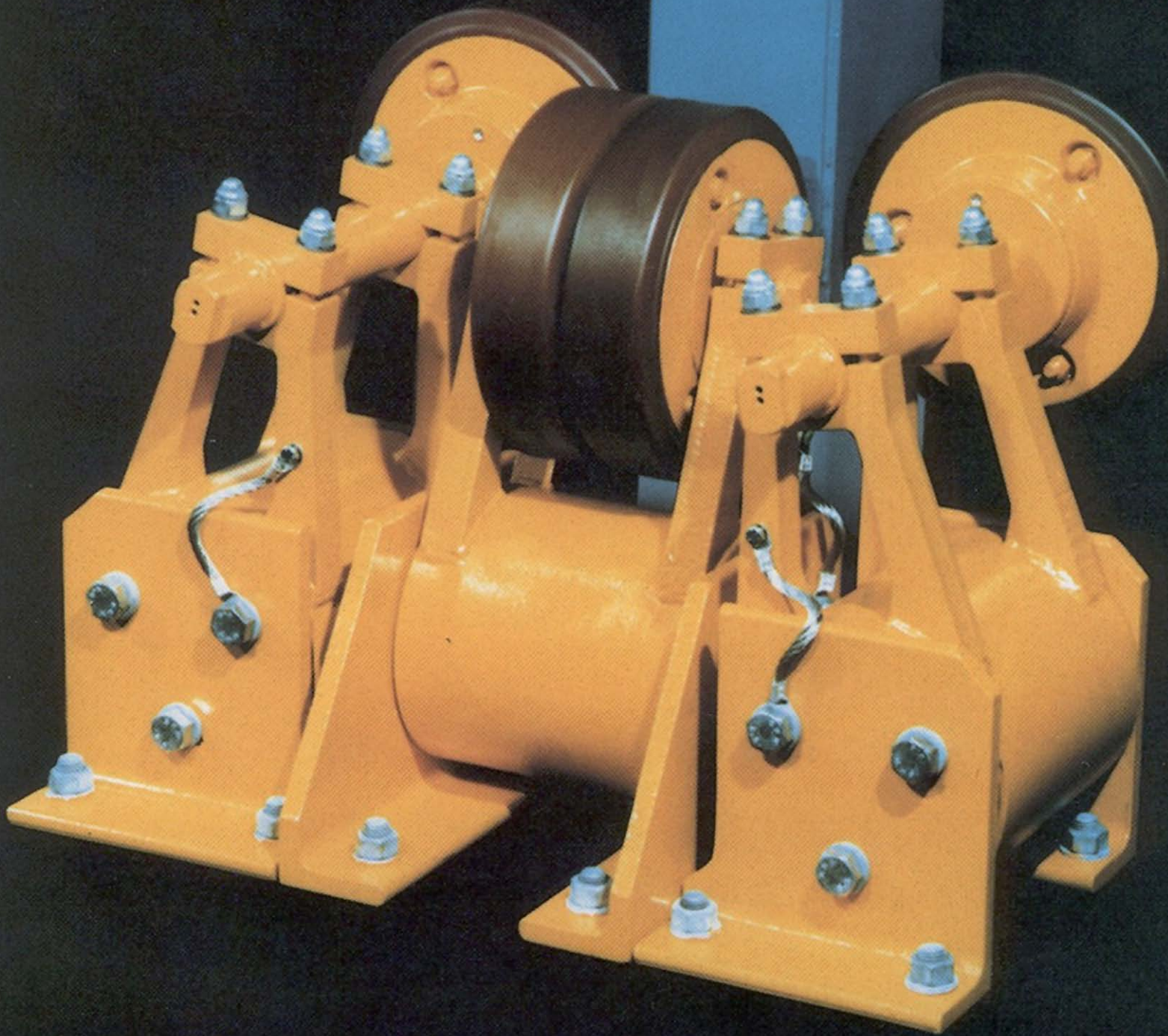
The entire torsional rubber spring is resistant to wear and free of maintenance.

The rockers can be adjusted in the holding brackets in an infinitely variable manner so as to compensate for tyre wear and guide deviations.

The rollers are fitted with adjustable taper roller bearings. The support is doubly sealed and only the grease of the labyrinth seal has to be renewed once in a while.



Static spring characteristics of rubber sleeves at roller axle





LOCATIONS:

GERMANY | HAIGER (HEADQUARTERS)

SIEMAG TECBERG GmbH
 Kalteiche-Ring 28-32
 35708 Haiger, Germany
 Phone +49 2773 91610
 E-Mail info@siemag-tecberg.com

POLAND | KATOWICE

SIEMAG TECBERG POLSKA Sp. z o.o.
 ul. Mickiewicza 29
 40-085 Katowice, Poland
 Phone +48 32 2072086
 E-Mail info@siemag-tecberg.pl

SWITZERLAND | SEDRUN

SIEMAG TECBERG GmbH
 Plant Operation
 7188 Sedrun, Switzerland
 Phone +41 81 9365280
 E-Mail info@siemag-tecberg.ch

CHINA | BEIJING

Beijing SIEMAG TECBERG
 Mining Equipment Co., Ltd.
 Room 21-03, Block A, CITIC Building
 19 Jianguomenwai Dajie,
 Beijing 100004, P.R. China
 Phone + 86 10 8526 1713
 E-Mail info@siemag-tecberg.cn

CHINA | TIANJIN

Tianjin SIEMAG TECBERG Machinery Co., Ltd.,
 Guangyuan Road South,
 Tianjin High-Tech Industrial Park,
 Third Phase Wuqing Development Area,
 Tianjin 301700, P. R. China

AUSTRALIA | SYDNEY

SIEMAG TECBERG Australia Pty Ltd.
 Unit 7, 2 Eden Park Drive (PO Box 1442)
 North Ryde NSW 2113, Australia
 Phone +61 2 9888 3900
 E-Mail info@siemag-tecberg.com.au

SOUTH AFRICA | JET PARK

SIEMAG TECBERG (Pty) Ltd.
 Unit 15, Lakeview Business Park,
 Yaldwin RD, Jet Park, Johannesburg
 P.O. Box 2964, Edenvale 1610,
 South Africa
 Phone +27 11 383 9300
 E-Mail info@siemag-tecberg.co.za

SOUTH AFRICA | GERMISTON

Winder Controls (Pty) Ltd.
 56 Stanley Street, Germiston, Ext. 3, Gauteng,
 P.O. Box 383, Germiston 1400,
 South Africa
 Phone +27 11 873 4650
 E-Mail winder@winder.co.za

USA | MILWAUKEE

SIEMAG TECBERG Inc.
 2969 South Chase Avenue
 Milwaukee, WI 53207, USA
 Phone +1 414 727 5725
 E-Mail info@siemag-tecberg.us